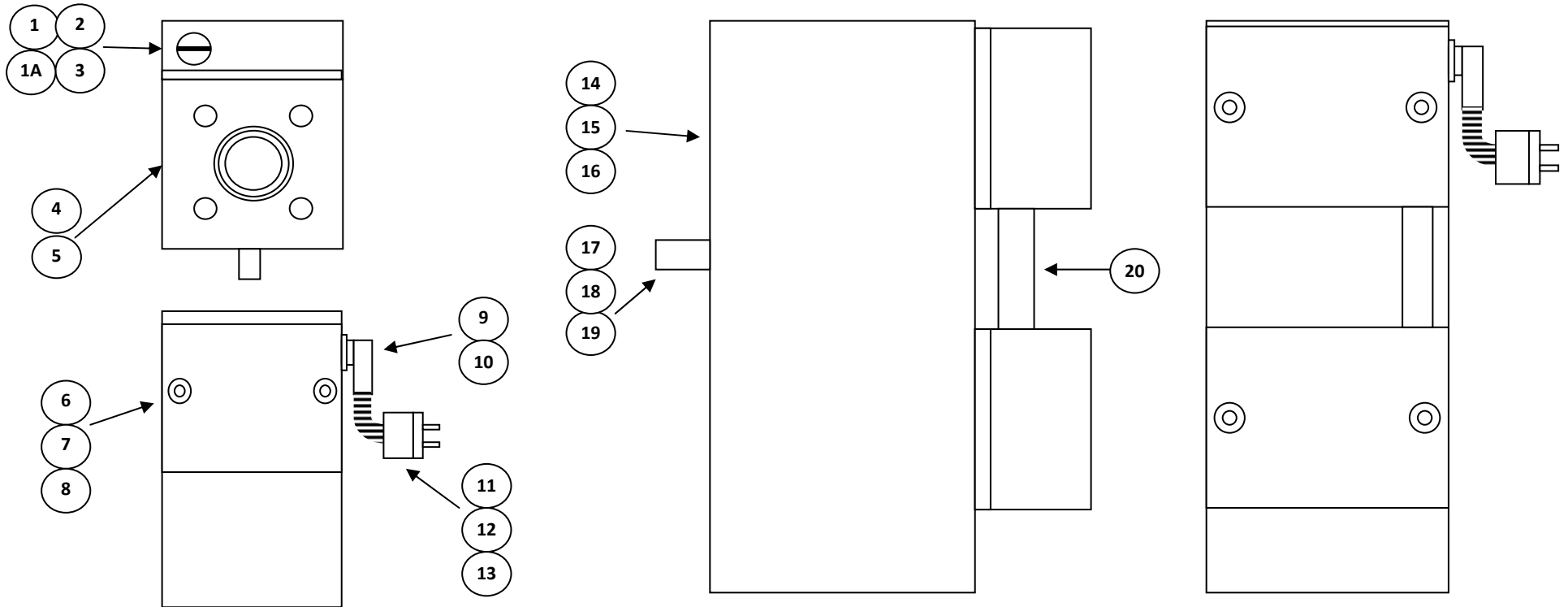


## SOLID MANIFOLD EXTENTION PARTS IDENTIFICATION DIAGRAM



#	Part Number	Description	#	Part Number	Description
1	127103	Cover box	11	103166	Ultra Flex armor cable
1A	102270	Cover box Mounting Bolts	12	103150	Hi temp wire
2	127106	insulator	13	103153	Two prong Plug
3	103173	Port Plug (multiple used)	14	127115	9-1/2" Extension Block Ass'y
4	127112	3-1/2" Extension Block Ass'y	15	127117	12" Extension Block Ass'y
5	107165	Seal ring* (not used on all)	16	127140	18" Extension Block Ass'y
6	127113	6" Extension Block Ass'y	17	104102	T/C Adapter
7	103156	Ceramic Terminal Block	18	104123 / 136	Thermocouple Bolt Style / T Handle, 1ft
8	105190 / 195	Cartridge Heater (Multiple used)	19	104144/141	Thermocouple Bayonet Style 5ft, 10ft (Not Pictured)
9	103164	90° Strain Relief connector	20	103167	Conduit Connector
10	103165	Anti Short Bushing (2 used)			